

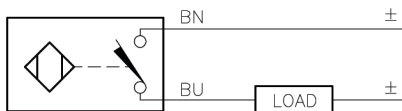
Inductive Sensors



Housing Style	Part Number	ID Number	Features	Sensing Range (mm)	Output
30 mm - Nonembeddable, Potted-In Cable 	Ni15-M30-AD4X	T4417200		15	2-Wire DC
	Ni20-M30-AD4X	T4466135	<i>Extended Range</i>	20	
	Ni15-M30-AP6X/S100	M4617200	<i>High Temp. 100°C</i>	15	3-Wire DC NPN
	Ni20-M30-AN6X	T4670516	<i>Extended Range</i>	20	
	Ni20U-EM30-AN6X	M1646320	<i>Uprox</i>	20	
	Ni20U-M30-AN6X	M1646120	<i>Uprox</i>	20	
	Ni20-M30-AP6X	T4670511	<i>Extended Range</i>	20	3-Wire DC PNP
	Ni20U-EM30-AP6X	M1646300	<i>Uprox</i>	20	
	Ni20U-M30-AP6X	M1646100	<i>Uprox</i>	20	
	Ni15-M30-VN4X	T1571500	<i>Comp. Outputs</i>	15	4-Wire DC NPN
	Ni20-M30-VN4X	T4590604	<i>Extended Range</i>	20	
	Ni15-M30-VP4X	T1561500	<i>Comp. Outputs</i>	15	4-Wire DC PNP
Ni20-M30-VP4X	T4590605	<i>Extended Range</i>	20		
30 mm - Nonembeddable, Potted-In Cable 	Ni20-EM30WD-AN6X	M4653434	<i>Washdown</i>	20	3-Wire DC NPN
	Ni20-EM30WD-AP6X	M4653423	<i>Washdown</i>	20	3-Wire DC PNP
30 mm - Nonembeddable, Potted-In Cable 	Ni15-EM30D-VP6X/S120	M4617410	<i>High Temp. 120°C</i>	15	3-Wire DC PNP

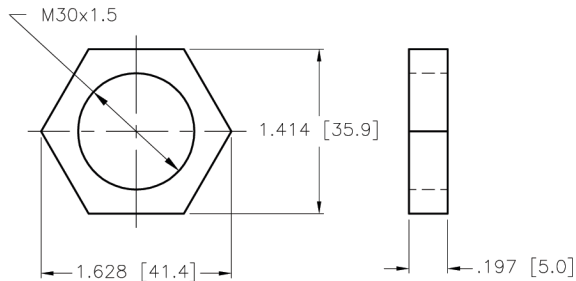
Voltage	Switching Freq. (Hz)	Operating Current (mA) AC/DC	Operating Temp. (°C)	Protection	Housing	Face	End Cap	Power LED	Output LED	Cable Length/ Cable Mat.	Wiring Diagram #	Wiring Diagrams
10-65 VDC	200	≤100	-25 to +70	IP 67	CPB	PA 12	EPTR	N/A	YE	2M/PVC	1	Diagram 1
	200	≤100	-25 to +70	IP 67	CPB	PA 12	EPTR	N/A	YE	2M/PVC	1	
10-30 VDC	500	≤200	-25 to +100	IP 67	CPB	IRPA	EPTR	N/A	YE	2M/PVC	2	Diagram 2
	500	≤200	-25 to +70	IP 67	CPB	PA 12	EPTR	N/A	YE	2M/PVC	2	
	1500	≤200	-30 to +85	IP 68	SS	PA 12	EPTR	N/A	YE	2M/PVC	2	
	1500	≤200	-30 to +85	IP 67	CPB	PA 12	EPTR	N/A	YE	2M/PVC	2	
10-30 VDC	500	≤200	-25 to +70	IP 67	CPB	PA 12	EPTR	N/A	YE	2M/PVC	3	Diagram 3
	1500	≤200	-30 to +85	IP 68	SS	PA 12	EPTR	N/A	YE	2M/PVC	3	
	1500	≤200	-30 to +85	IP 67	CPB	PA 12	EPTR	N/A	YE	2M/PVC	3	
10-65 VDC	500	≤200	-25 to +70	IP 67	CPB	PA 12	EPTR	N/A	YE	2M/PVC	4	Diagram 4
	500	≤200	-25 to +70	IP 67	CPB	PA 12	EPTR	N/A	YE	2M/PVC	4	
10-65 VDC	500	≤200	-25 to +70	IP 67	CPB	PA 12	EPTR	N/A	YE	2M/PVC	5	Diagram 5
10-65 VDC	500	≤200	-25 to +70	IP 67	CPB	PA 12	EPTR	N/A	YE	2M/PVC	5	
10-30 VDC	1000	≤200	-25 to +85	IP 68, 69K	SS	PVDF	EPTR	N/A	YE	2M/PUR	2	Diagram 4
10-30 VDC	1000	≤200	-25 to +85	IP 68, 69K	SS	PVDF	EPTR	N/A	YE	2M/PUR	3	Diagram 5
10-30 VDC	1000	≤200	-25 to +120	IP 67	SS	PTFE	PTFE	N/A	YE	2M/PTFE	3	

WIRING DIAGRAM



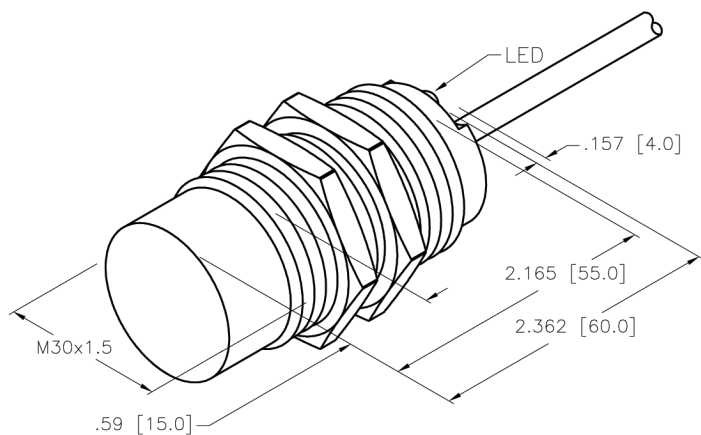
OUTPUT: AD4X

LOCKNUT LN-M30



SPECIFICATIONS

RATED OPERATING DISTANCE	15 mm = .591" (NOMINAL)
MOUNTING MODE	NON-FLUSH
HYSTERESIS	1-15%
MIN. REPEAT ACCURACY	≤ 2%
TEMPERATURE DRIFT	≤ ± 10%
OPERATING TEMPERATURE	-25°C to +70°C (-13°F to +158°F)
RATED OPERATIONAL VOLTAGE	10-65 VDC
MAX. RIPPLE	≤ ± 10%
DC RATED OPERATIONAL CURRENT	≤ 100 mA
RESIDUAL CURRENT	≤ 0.6 mA
RATED INSULATION VOLTAGE	≤ 0.5 kV
SHORT-CIRCUIT PROTECTED	YES
MAX. VOLTAGE DROP	≤ 5.0 V
REVERSE POLARITY PROTECTION	INCORPORATED
WIRE-BREAK PROTECTION	INCORPORATED
OUTPUT FUNCTION	2-WIRE, NORMALLY OPEN, 2-WIRE
SMALLEST OPERATING CURRENT	≥ 3.0 mA
MAX. SWITCHING FREQUENCY	≤ 0.2 kHz
HOUSING MATERIAL	METAL, BRASS, CHROME-PLATED
ACTIVE FACE	PLASTIC, PA12-GF30
END CAP MATERIAL	PLASTIC, EPTR
CABLE	ø5.2, Lifyy, PVC
SHOCK RESISTANCE	30 g, 11 ms
VIBRATION RESISTANCE	55 Hz, 1 mm AMPLITUDE (IN ALL 3 PLANES)
DEGREE OF PROTECTION	IP67
SWITCHING STATUS INDICATION	LED, YELLOW



NOTE: ALL TOLERANCES ARE ±1.0 mm.

SOURCE DRAWING - FOR REFERENCE ONLY

RELATED DOCUMENTS 1. 2. 3. 4.	3RD ANGLE PROJECTION	THIS DOCUMENT IS PROPERTY OF TURCK INC. USE OF THIS DOCUMENT WITHOUT WRITTEN PERMISSION IS PROHIBITED.	 High Technology Sensors and Automation Controls					
	MATERIAL				TOLERANCES UNLESS OTHERWISE SPECIFIED	DRFT IK	DATE 03/07/00	DESCRIPTION Ni15-M30-AD4X
	FINISH				.X ±0.02 .XX ±0.01 .XXX ±0.005 ANGLES ±1° ALL MILLIMETER DIMENSIONS ARE REFERENCE ONLY	DSGN BT	SCALE 1=1.3	
						UNIT OF MEASUREMENT INCH MILLIMETER 	IDENTIFICATION NO. T4417200	REV A
DO NOT SCALE THIS DRAWING		FILE: T4417200	SHEET 1 OF 1					

A	DRAWING RELEASE	IK	08/07/00	
REV	DESCRIPTION	BY	DATE	ECO NO.